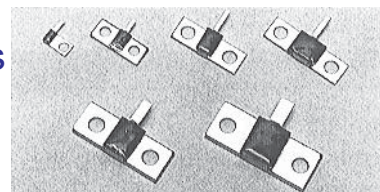




◆ TDR-3 ◆ Applicable to MIL-R-11804 Microwave Terminations



Features

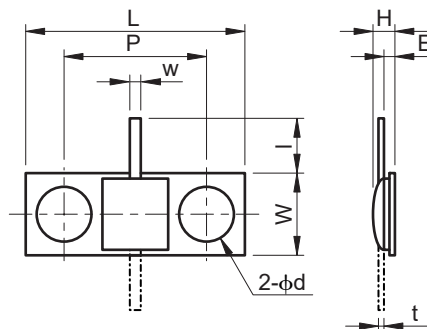
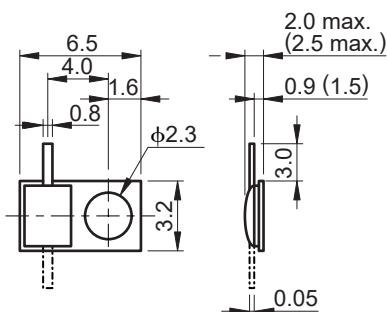
TDR-3 series provides small configurations, wide frequency range and low price by utilizing tantalum alloy with high heat resistance and also provides cost reduction because the thermal resistance is low.

3010 (10 W) · 3030 (30 W)
3050 (50 W) · 3150 (150 W)

Dimensions

3003 (3 W)

Unit : mm



Style	L ± 0.3	W ± 0.5	H max.	E	P ± 0.2	ϕd	l ± 1	w ± 0.3	t
3010	13.0	5.0	2.5 (3.0)	1.6 (2.0)	8.0	2.6	3.0	0.8	0.05
3030	20.0	5.8	4.0 (4.5)	2.5 (3.0)	14.0	3.2	5.0	1.0	0.1
3050	22.0	8.0	4.5 (5.0)	2.5 (3.5)	14.0	3.6	5.0	2.0	0.1
3150	30.0	18.0	6.0	4.5	22.0	3.6	10.0	3.0	0.1

· The numbers in () are the dimensions of 100 Ω type impedance.

Electrical Specifications

Rated Power	3	10	30	50	150
Frequency Range	DC ~ 5 (3) GHz	DC ~ 4 (2) GHz	DC ~ 2 (1.5) GHz	DC ~ 5 (1) GHz	DC ~ 0.8 (0.5) GHz
V S W R	1.2 max.				
Impedance	50, 100 Ω (Type B only)				50 Ω
Working Temp. Range	-55 ~ +155 $^{\circ}$ C				
Resistance Tolerance	$\pm 5\%$ (J) : Standard article, $\pm 2\%$ (G), $\pm 1\%$ (F)				
T.C.R.	± 100 ppm/ $^{\circ}$ C				± 200 ppm/ $^{\circ}$ C
Heat Resistance	4 <7> $^{\circ}$ C/W	2 <4> $^{\circ}$ C/W	1.8 <2.5> $^{\circ}$ C/W	1.3 <2> $^{\circ}$ C/W	0.5 $^{\circ}$ C/W

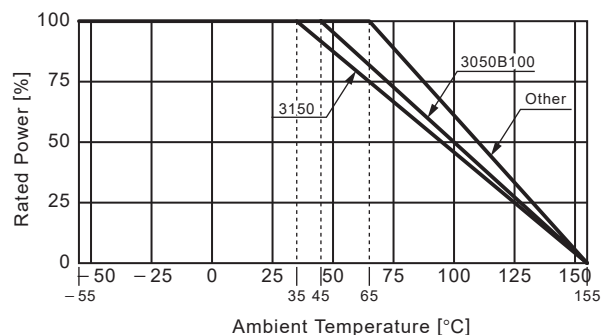
· The numbers in () of Frequency Range are values of the B type.
· The numbers in < > of Heat Resistance are values of 100 Ω impedance type.

· Impedance 100 Ω is only for the B type.
· 300W is also available if required.

How to Code

TDR	3	010	S	50	J
Style	ID No.	Rated Power	Terminals	Impedance	Resistance Tolerance
003	3 W	S	Type S	50 50 Ω	F $\pm 1\%$
010	10 W	S	Type S	100 100 Ω	G $\pm 2\%$
030	30 W	B	Type B		J $\pm 5\%$
050	50 W				
150	150 W				

Derating Curve



⚠ Specifications of products are subject to change without notice.

e-tdr_3-p01-06



株式会社 **MKT TAISEI** **MKT TAISEI Co., Ltd.**

<< Head Office >> 3-10-8, Nohagi 1st Bldg, Minami-Ikebukuro, Toshima-ku, Tokyo, 171-0022, Japan.

PHONE : 81-3-3982-0029 FAX : 81-3-3986-1537 E-mail : info@mkt-taisei.com

<< Kansai Branch >> 3-18-9, Nishi-Nakajima, Yodogawa-ku, Osaka-City, 532-0011, Japan.

PHONE : 81-6-6390-7264 FAX : 81-6-6390-6945